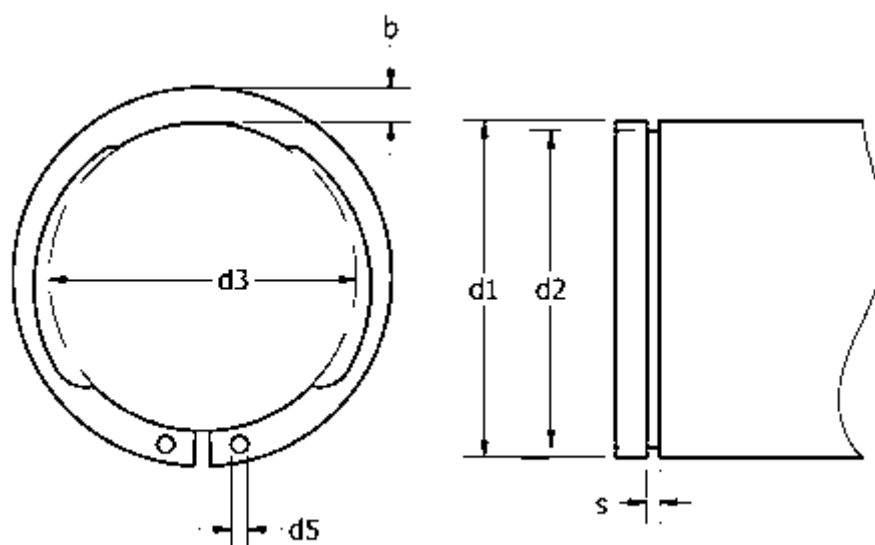


Article number: 0105067
 Description: Retaining ring AV 50
 Note: Fitted with ZGA pliers

Measures



AN mm ²	= 115.0	FRg kN	= 11.6	t	= 1.50
b	= 5.2	FR kN	= 58.0	tol	= -0.07
d1	= 50	g	= 2.0	tol	= -0.25
d2	= 47.0	K kN-mm	= 108.0	tol	= +0,39-0,90
d3	= 45.80	m min	= 2.15	tol	= 0.2
d5 min	= 2.0	n abl x 1000	= 10	Tong	= ZGA-3
Description	= AV 50	s	= 2.00	Weight kg/1000	= 9.84
FN kN	= 19.20	Side power N at I2	= 4.5		